

CODE NUMBER

23001010

DESCRIPTION

ST-2309 Water Closet and SLOAN 111 Flushometer.

COMPONENTS

- Flushometer: Code 3780018
- Water Closet: Code 2102309

DETAILS

- Flush Volume: 1.28 gpf (4.8 Lpf)
- Nominal Dimensions: 27" x 13" x 10 ¾" (686 x 330 x 273mm)

FLUSHOMETER FEATURES

- High Chloramine Resistant PERMEX® Synthetic Rubber Diaphragm with Linear Filtered Bypass and Vortex Cleansing Action™
- 1" I.P.S. Screwdriver Bak-Chek® Angle Stop with Vandal Resistant Stop Cap
- Vacuum Breaker with Flush Connection
- Spud Coupling and Spud Flange for 1½" Top Spud
- Sweat Solder Adapter with Cover Tube and Cast Wall Flange
- Non-Hold-Open Handle and No External Volume Adjustment to Ensure Water Conservation
- Diaphragm, Handle Packing and Vacuum Breaker Molded from PERMEX® Rubber Compound for Chloramine Resistance
- ADA Compliant Metal Oscillating Non-Hold-Open Handle

FIXTURE FEATURES

- White Vitreous China
- Floor mounted, floor outlet
- 10¾" rim height for toddlers
- Water spot area: 9½" x 9¼" (24 cm x 23 cm)
- 1½" I.P.S. top spud inlet
- 2½" fully glazed trapway
- Closet bolts and caps included
- Toilet seat not included
- Static load rating of 1000 lbs. (See Notes)



COMPLIANCES & CERTIFICATIONS



(CalGreen Compliant, CEC Compliant, WaterSense Listed, cUPC Certified, ADA Compliant, BAA Compliant, BREEAM Materials Credit, BREEAM Water Credit, cUPC Green Certified, Green Globes Materials & Resources Credit, Green Globes Water Credit, LEED Materials & Resources EPD Credit, LEED Materials & Resources HPD Credit, LEED V4 Water Efficiency Credit, Satisfies LEED Credits)

DOWNLOADS

- [Sloan Exposed Installation Instructions](#)
- [SS/ST/SU/WETS/WEUS Fixtures Repair and Maintenance Guide](#)
- [Additional Downloads](#)

NOTES

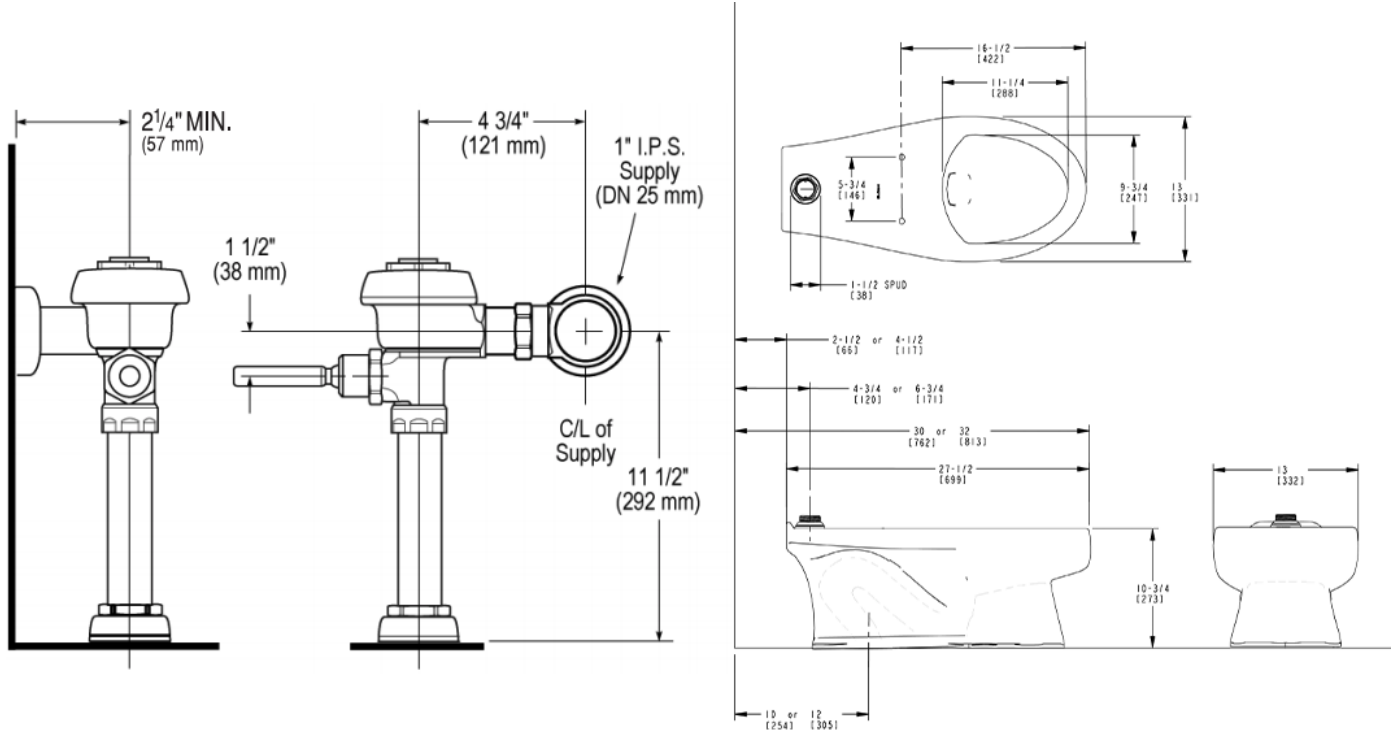
All information contained within this document subject to change without notice.

Static load tested according to the procedure outlined in Section 6.7 of ASME A112.19.2. Not recommended for bariatric use.

Sloan 10500 Seymour Ave, Franklin Park, IL 60131

Phone: 800.982.5839 • Fax: 800.447.8329 • sloan.com

ROUGH-IN



Sloan 10500 Seymour Ave, Franklin Park, IL 60131
Phone: 800.982.5839 • Fax: 800.447.8329 • sloan.com